

CLIMBING COMBINATION WITH 2 TOWERS (SLIDE STAINLESS STEEL)

JOC-66C2_ALU



Physical disability



Sensory disability



Mental disorders



TECHNICAL DATA SHEET



EN 1176



+ 3 years



28 users



612 x 431 x 352 cm.



150-250 cm.



48,50 m²

Structure	Aluminium EN-AW 6063, anodized
Panels	HDPE (High-density polyethylene) 13 and 19 mm
Platforms	Phenolic nonslip plywood 15 and 18 mm
Bars	Stainless steel
Ropes	Armed rope with steel core and multiple polypropylene strings
Sliding sole	Stainless steel 130cm .



3 px.



8 h.



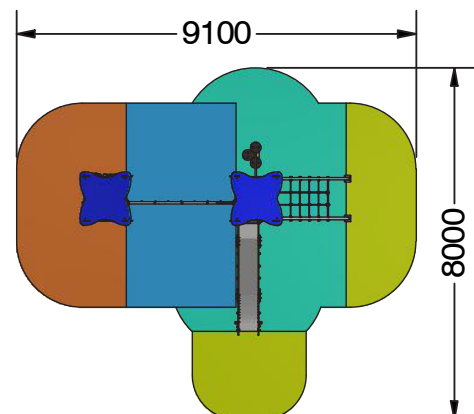
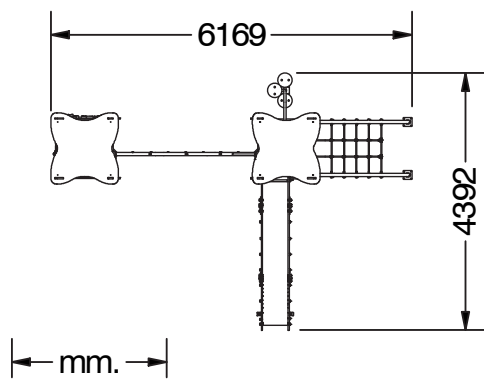
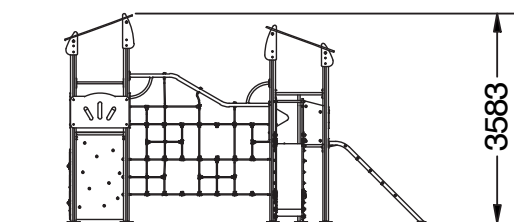
639 kg.

JOC-66C2_ALU

CLIMBING COMBINATION WITH 2 TOWERS (SLIDE STAINLESS STEEL)

Climbing structure formed by two towers with platforms of 100x100cm and shed roofs. The platforms are located at different height (1,30m and 1,50m) and are protected sideways by bars and panels. For the access to the 1,30m tower there's an inclined climbing net and a spiral stairs connected to a bar. For the access to the 1,50m tower there's a climbing wall. Access to both towers can be done also via the vertical climbing net which connects both towers. The descent can be realised by the same access elements or with a straight slide.

The different climbing facilities foster the development of the children's motor skills. The play structure includes also an activity panel with a pairs' game on both sides.



H.I.C.

100 cm.	11,25 m ²
130 cm.	14,90 m ²
150 cm.	10,66 m ²
250 cm.	11,63 m ²